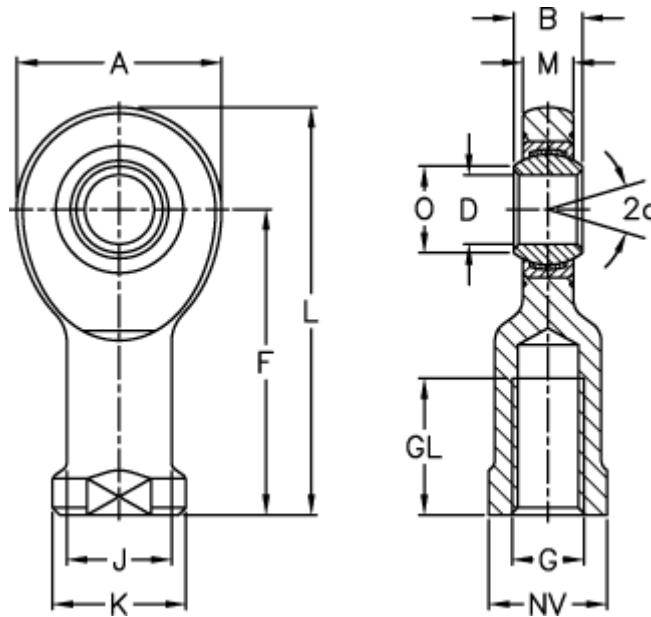


# Data Sheet



Article number: 03464010  
Description: Fluro Rod end EI 10D  
Note: 10

## Measures



|                    |       |                 |        |
|--------------------|-------|-----------------|--------|
| A                  | = 28  | J               | = 15   |
| a (degrees)        | = 12  | K               | = 19   |
| B                  | = 9   | L               | = 57   |
| D                  | = 10  | M               | = 7    |
| Dynamic drive (kN) | = 8.6 | NV              | = 17   |
| F                  | = 43  | O               | = 13.2 |
| g                  | = M10 | Static drive kN | = 23.4 |
| GL                 | = 20  | Weight          | = 60   |